



AWH Silver Line Regional Rail Project Construction Activity (CA) Notification

Construction Activity (CA) Details

Notification Date: Wednesday, January 26, 2022

Construction Activity Start Date: Monday, February 14, 2022

Construction Activity 1: 7A until 9P - Weekdays

Work Time 2: 9A until 7P - Weekends

Contractor Information:

Contractor: Archer Western Herzog (AWH) and Subcontractors

Contractor Contact Name: Marvin Jackson, AWH PI/CR Manager

Construction Activity Location: Osage Branch 2 Bridge (near Preston Green Park)

Address (If Applicable): N.A.

City, State Zip: Dallas, Texas

Scope of Construction Activity:

AWH plans to mobilize, secure, demolish, and construct the Osage Branch 2 Bridge in the DART ROW in North Dallas.

The steps to the bridge demolition and construction processes are as follows:

Step 1 - AWH will mobilize heavy construction equipment, job-site personnel, and on-site storage materials to the Osage Branch 2 Bridge area via access roads at Davenport Rd. and Hillcrest Rd.

Step 2 - AWH shall secure the construction work limits within DART ROW

Step 3 - AWH shall start with bridge demolition and material haul-off

Step 4 - AWH shall follow with site preparation such as excavation, embankment, and drill pad

Step 5 - AWH shall commence bridge construction activities inclusive of drilling, rebar tying, rebar installation, column forming, concrete pours, and operations using heavy construction equipment detailed in the weekly schedule narrative

Step 6 - Once AWH is complete with the bridge construction process we shall prep the area for follow-on activities

Note: AWH Public Information/Community Relations ("PI/CR") team shall notify residentially adjacent property owners to this scope of work of this upcoming activity. Street sweeping and flagging access shall be maintained throughout construction activities.

Permits Submitted:

1. Lane closures will follow permit #: TC-2021-05758

2. Construction activity outside of specified City of Dallas hours shall be properly requested

3.

Previous Ten (10) Community Activity Notifications:

10. 20211004 - CA0057 - Osage 1 Bridge Demolition - North Dallas

11. 20211007 - CA0062 - McKamy Branch Bridge Demolition - North Dallas

12. 20211020 - CA0064 - Explorer Utility Tie-in 24-hour Work - North Dallas



AWH Silver Line Regional Rail Project Construction Activity (CA) Notification

Construction Activity (CA) Details
13. 20211027 - CA0065 - Tree Removal along Coit Rd South of SLRR Guideway - North Dallas
14. 20211117 - CA0066 - Hillcrest to McCallum Tree Clearing in SLRR Guideway - North Dallas
15. 20211110 - CA0068 - Excavate Path for New Silver Line Rail - DNT to Davenport Rd - North Dallas
16. 20211213 - CA0071 - Wester Way Utility Test Hole and Vacuum Excavation Work - North Dallas
17. 20220112 - CA0074 - McKamy Branch and Osage 1 Bridge Construction Start - North Dallas
18. 20220117 - CA0078 - Explorer Pipeline Utility Tie-in at Campbell Rd - North Dallas
19. 20220126 - CA0080 - Osage Branch 2 Bridge Demolition and Construction Start - North Dallas
20.

Attached Docs: Yes

AWH Contractor Contacts:

AWH Safety Mgr. Bill Abbott, (817) 538-0081

AWH QC Mgr. Jim Grady, (817) 823-8846

AWH CA Mgr. Marvin Jackson, (214) 585-7308

Construction Hotline 972.833.2856

Report Prepared by: Marvin Jackson, AWH

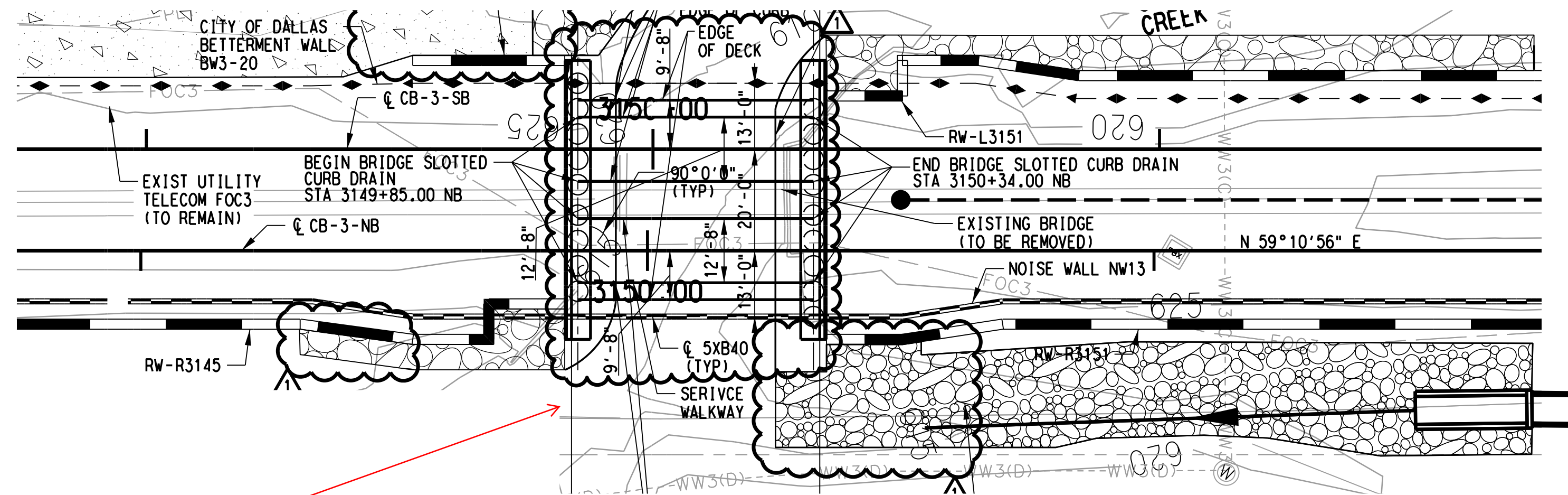
Title: CBRR CR&PI Manager

Report Title: 20220126 - CA0080 - Osage Branch 2 Bridge Demolition and Construction Start - North Dallas

OSAGE Branch 2 Bridge for CA-0080



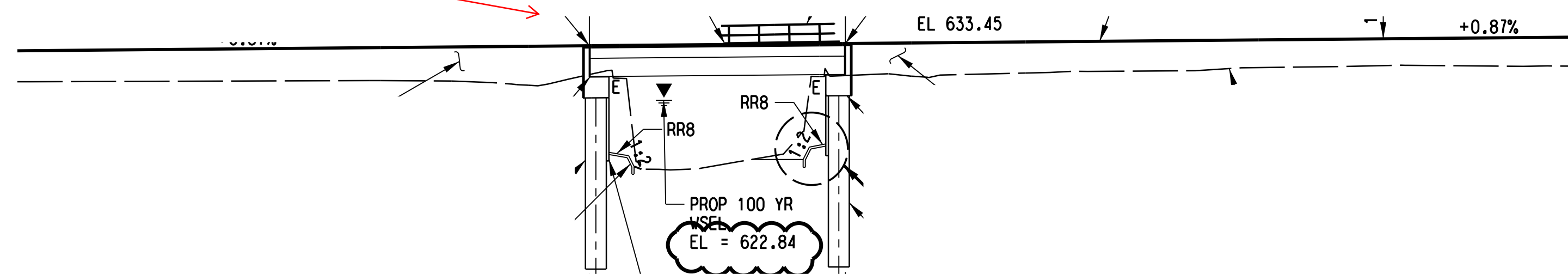
OSAGE Branch 2 Bridge Plan and Profile for CA-0080



NEW BRIDGE
PLAN VIEW

PLAN
SCALE: 1" = 20'

NEW BRIDGE
ELEVATION



ELEVATION
SCALE: 1" = 20'